

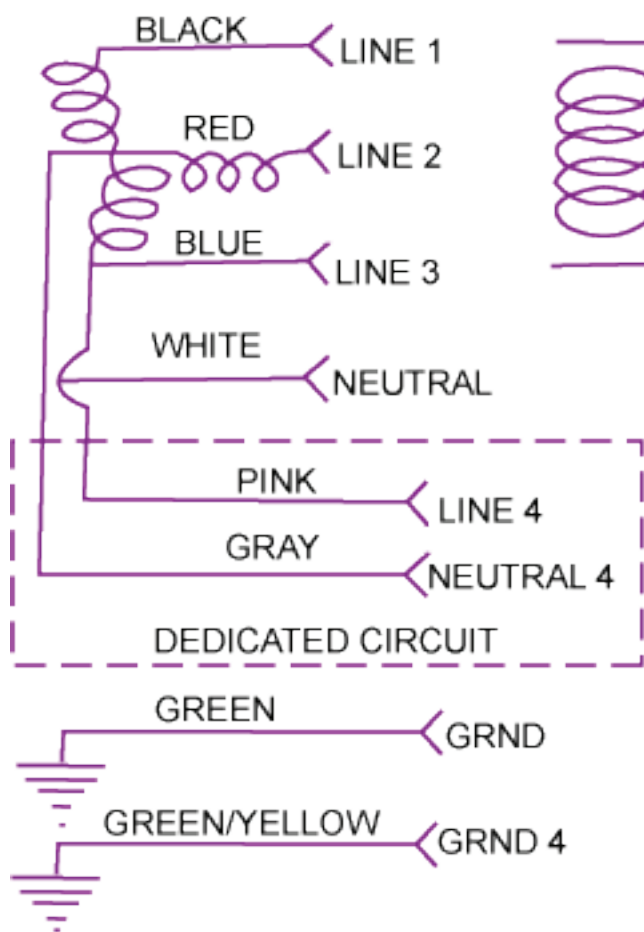
Electrical Infeeds/Junction Box Location

Prior to the furniture installation, you will need to have your building electrician install the "Electrical Infeeds." (Also called: 'Power Whips' or 'Pig Tails.')

The electrical infeeds connect the furniture's electrical to the building's electrical. Since the electrical infeeds will be hidden behind the panels, it is necessary for the electrician to install the infeeds before the furniture is installed. The electrician will need to install a junction box and then attach infeeds to the junction box. Our furniture installers will attach the other end of the infeed to the furniture. The following package shows the electrician where to install the junction box and how to wire it. Our installers will drop off the electrical infeed to you next time they are at your location. Please keep the infeeds in a safe place until your electrician installs them. Other important items, which are often covered by panels, are the data and telephone jacks. If you need to install new data and telephone lines, you will need to coordinate the installation of those items with your facilities management prior to the installation of the furniture. If you have existing data and telephone jacks which will be covered by the furniture, please have the appropriate length cables attached to the jacks. Our installers will pull the cables out from behind the panels so that you may connect your computers and telephones after the installation of the furniture is complete. In order to efficiently install your furniture, it is necessary for you to coordinate with your facilities person, the removal or move of any existing furniture which is making way for the new furniture. Ideally, the furniture should be removed the evening before the scheduled installation. If you require our installers to move the furniture, please make sure that this is clearly communicated to ABI days prior to the installation date.

WIRING DIAGRAM

3 PHASE SUPPLY
120/208V 20A MAX
(15 A MAX CSA)



SINGLE PHASE SUPPLY
120/240V 20A MAX
(15 A MAX CSA)

